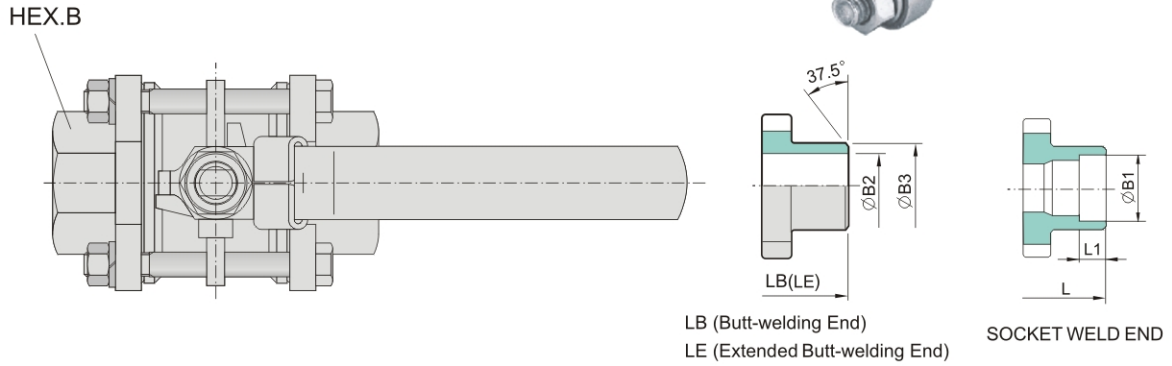


FEATURES:

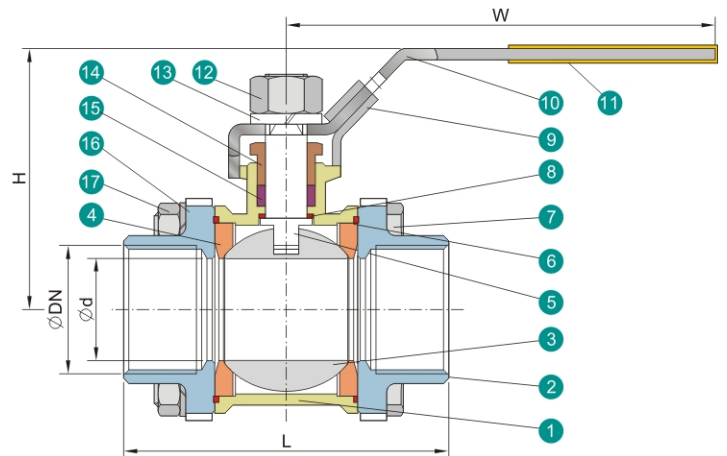
- Blow-out Proof Stem
- Pressure Balance Hole in Ball Slot
- Various Thread Standards Available
- Casting Approved by TÜV AD 2000 - Merkblatt W0

APPLICABLE STANDARDS:

- Design : ASME B16.34, MSS SP-110
- Wall Thickness : EN 12516 - 3
- Pipe Thread **KV-030**: ASME B1.20.1, BS21
DIN2999/259, ISO 228/1
JIS B0203
- Butt Weld **KV-031**: ASME B16.25 (φ B2 Sch 40)
φ B2 Available in Sch 10, 20
- Socket Weld **KV-032**: ASME B16.11
- Inspection & Testing: MSS SP-110, EN 12266



NO.	PART NAME	MATERIALS		
1	Body	CF8M	CF8	WCB
2	Cap (Thread)	CF8M	CF8	WCB
	Cap (Welding)	CF3M		
3	Ball	CF8M	CF8	
4	Ball Seat		PTFE	
5	Stem	SUS 316	SUS 304	
6	Body Gasket		PTFE	
7	Bolt		A193 - B8	
8	Thrust Washer		PTFE	
9	Locking Device		SUS 304	
10	Lever		SUS 304	
11	Lever Sleeve		Vinyl Plastic	
12	Stem Nut		A194 - 8	
13	Stem Washer		SUS 304	
14	Gland Nut		SUS 304	
15	V-Ring Packing		PTFE	
16	Bolt Washer		SUS 304	
17	Bolt Nut		A194 - 8	



SIZE	φ d	L	LB	LE	H	W	L1	φ B1	φ B2	φ B3	HEX.B	φ DN
1/4"	10.6	65.2	65.2	165	57.5	100.0	10	14.2	9.3	18	23.5	NPT
3/8"	12.7	65.2	65.2	165	57.5	100.0	10	17.8	12.5	18	23.5	
1/2"	15.0	69.5	75.0	165	57.5	100.0	10	21.8	15.8	22	28.0	
3/4"	20.0	80.0	90.0	190	63.0	129.0	13	27.3	20.9	28	34.5	BSP
1"	25.0	90.0	100.0	216	75.5	156.0	13	34.0	26.7	34	42.0	
1-1/4"	32.0	110.0	110.0	229	81.0	156.0	16	42.8	35.1	43	52.0	PT
1-1/2"	38.0	120.0	125.0	241	94.0	182.5	16	49.0	40.9	50	58.5	
2"	50.0	140.0	150.0	292	104.5	182.5	17	61.4	52.5	61	71.5	DIN
2-1/2"	63.5	185.0	190.0	330	131.0	252.0	17	74.0	62.7	76	86.5	
3"	76.0	205.0	220.0	356	139.0	252.0	17	90.0	78.0	92	101.0	etc...

Unit: mm