

FEATURES:

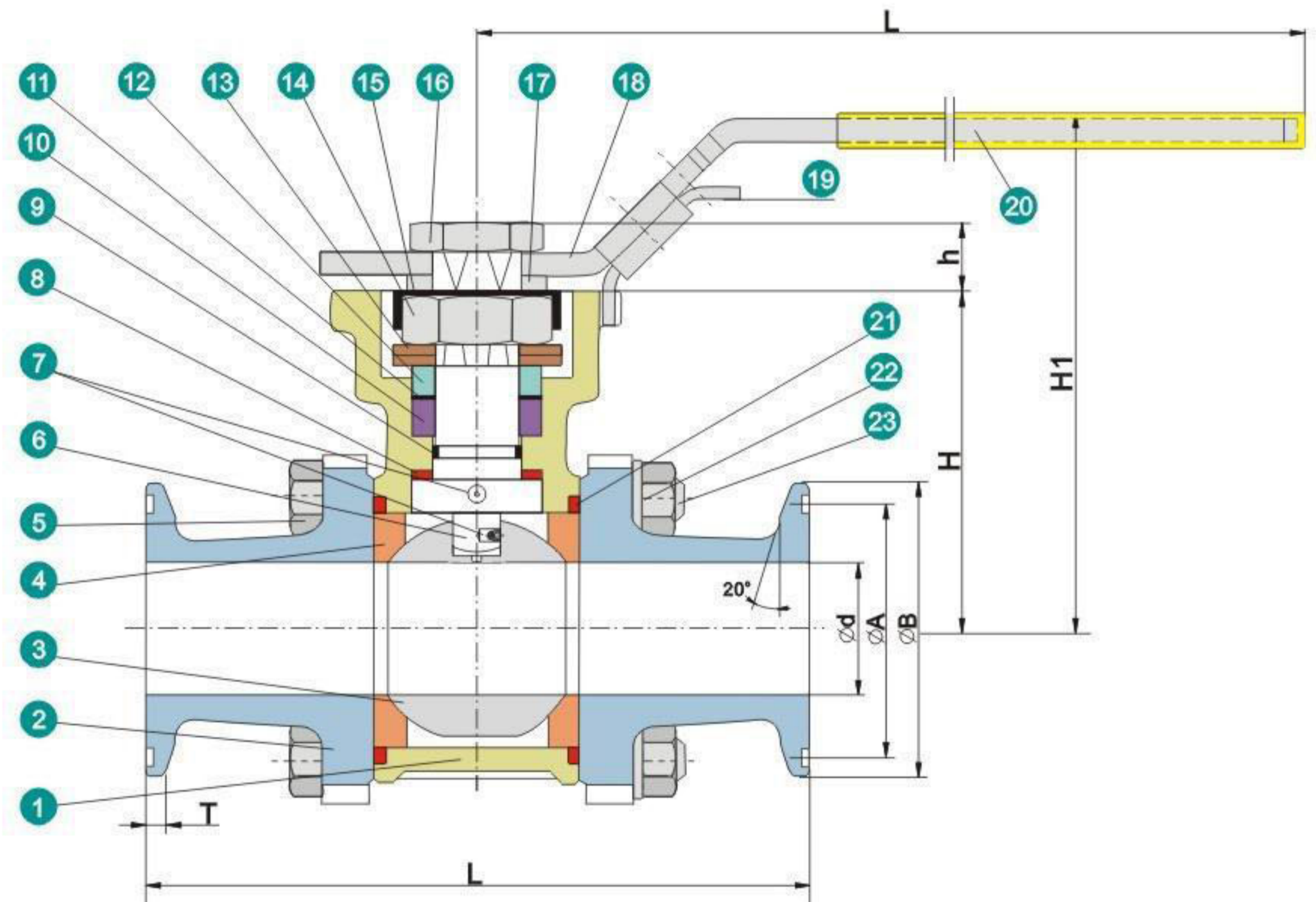
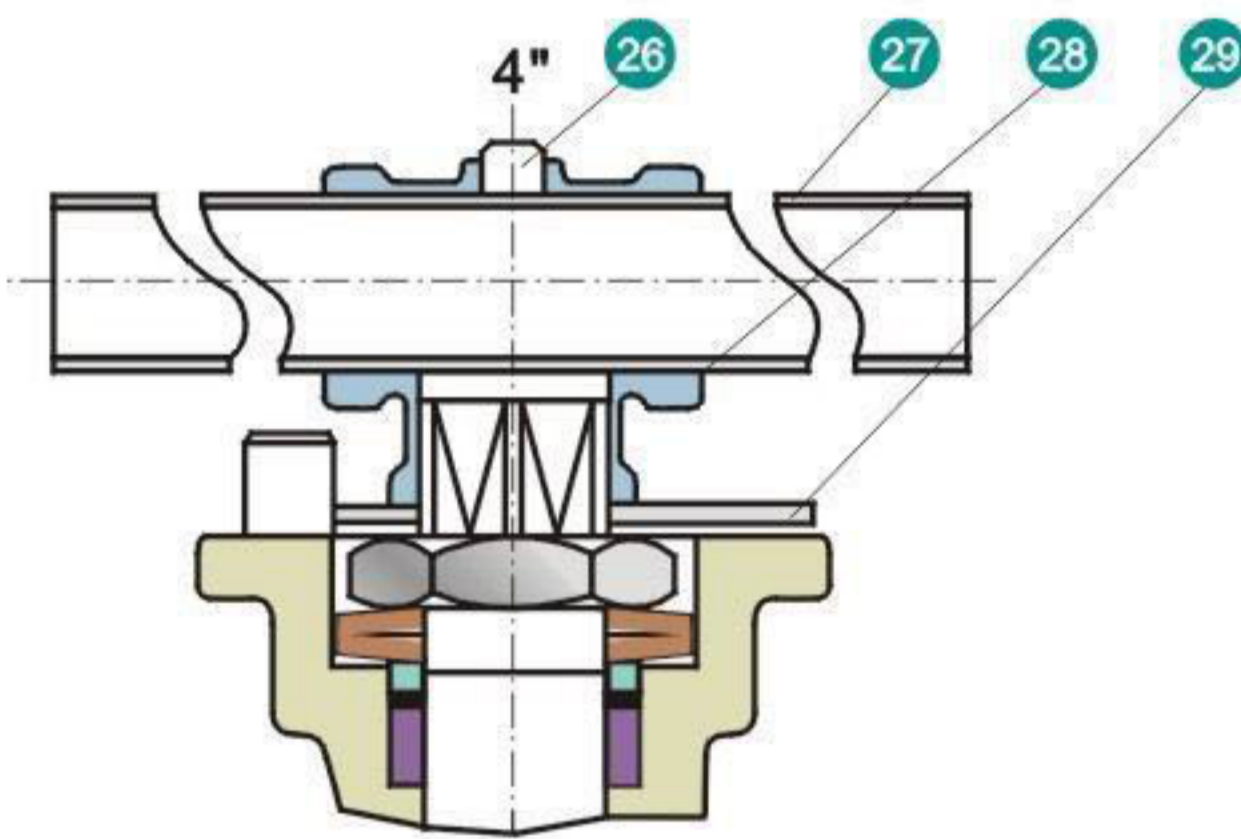
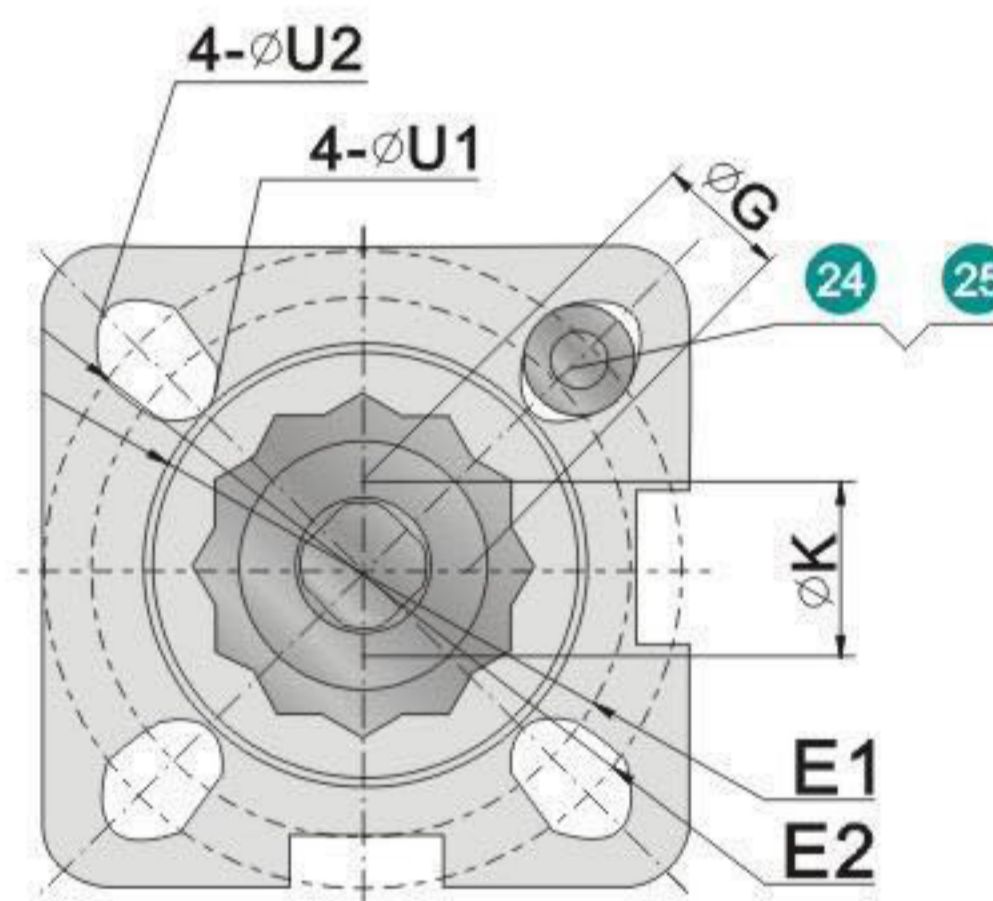
- Anti-static Devices for Ball-stem-body
- Blow-out Proof Stem
- Pre-load 2 Belleville Washers to Self-adjust Packing
- **TA-LUFT** Design Approved

APPLICABLE STANDARDS:

- Design : ASME B16.34, API 608
- Clamp Ends: ISO 2852
- Face to Face: DIN 3202, Part2
- Inspection & Testing: MSS SP-110, EN 12266



| NO. | PART NAME | MATERIALS | | |
|-----|----------------------|---------------|---------|-----|
| 1 | Body | CF8M | CF8 | WCB |
| 2 | Cap | CF8M | CF8 | WCB |
| 3 | Ball | CF8M | CF8 | |
| 4 | Ball Seat | PTFE | | |
| 5 | Bolt | A193 - B8 | | |
| 6 | Stem | SUS 316 | SUS 304 | |
| 7 | Anti-Static | SUS 316 | SUS 304 | |
| 8 | Thrust Washer | PTFE | | |
| 9 | O-RING | FKM | | |
| 10 | V-Ring Stem Packing | PTFE | | |
| 11 | Bushing | 50%SS+50%PTFE | | |
| 12 | Gland | SUS 304 | | |
| 13 | Belleville Washer | SUS 301 | | |
| 14 | Stem Nut | A194 - 8 | | |
| 15 | Stop-Lock-Cap | SUS 304 | | |
| 16 | Handle Nut | A194 - 8 | | |
| 17 | Square Washer | SUS 304 | | |
| 18 | Handle | SUS 304 | | |
| 19 | Lock device | SUS 304 | | |
| 20 | Handle Sleeve | Vinyl Plastic | | |
| 21 | Body Gasket | PTFE | | |
| 22 | Bolt Washer | SUS 301 | | |
| 23 | Bolt Nut | A194 - 8 | | |
| 24 | Stop Bolt | A193 - B8 | | |
| 25 | Nut | A194 - 8 | | |
| 26 | Set Screwed (4") | SUS 304 | | |
| 27 | Handle(4") | SUS 304 | | |
| 28 | Handle Adapter(4") | CF8 | | |
| 29 | Triangle Stopper(4") | SUS 410 | | |



| SIZE | ∅d | ∅A | ∅B | L | T | W | H | H1 | h | ∅K | ∅E1 | ∅E2 | G | U1 | U2 |
|--------|------|-------|-------|-----|------|-----|-------|-------|----|-------------|-----|-----|----|-----|------|
| 1/2" | 10.7 | 27.5 | 34.0 | 90 | 2.85 | 145 | 42.0 | 69.0 | 9 | 7/16-24UNF | 36 | 42 | 9 | 6.0 | 6.0 |
| 3/4" | 15.2 | 27.5 | 34.0 | 90 | 2.85 | 145 | 49.0 | 76.0 | 9 | 7/16-24UNF | 36 | 42 | 9 | 6.0 | 7.0 |
| 1" | 22.6 | 43.5 | 50.5 | 100 | 2.85 | 175 | 58.0 | 89.0 | 11 | 9/16-18UNF | 42 | 50 | 11 | 6.0 | 7.0 |
| 1-1/4" | 31.3 | 43.5 | 50.5 | 110 | 2.85 | 175 | 63.0 | 93.5 | 11 | 9/16-18UNF | 42 | 70 | 11 | 6.0 | 9.0 |
| 1-1/2" | 35.6 | 43.5 | 50.5 | 125 | 2.85 | 195 | 71.0 | 103.0 | 14 | 3/4-18UNF | 50 | 70 | 14 | 7.0 | 9.0 |
| 2" | 48.6 | 56.5 | 64.0 | 150 | 2.85 | 195 | 78.0 | 109.0 | 14 | 3/4-18UNF | 50 | 70 | 14 | 7.0 | 9.0 |
| 2-1/2" | 60.3 | 70.5 | 77.5 | 190 | 2.85 | 265 | 100.0 | 147.0 | 17 | 7/8-14UNF | 70 | 102 | 17 | 8.5 | 10.5 |
| 3" | 72.9 | 83.5 | 91.0 | 220 | 2.85 | 265 | 109.0 | 154.0 | 17 | 7/8-14UNF | 70 | 102 | 17 | 8.5 | 10.5 |
| 4" | 97.6 | 110.0 | 119.0 | 270 | 2.85 | 400 | 140.0 | 205.0 | 22 | 1-1/8-12UNF | - | 102 | 22 | - | 10.5 |

Unit:mm